

Installation instructions for PZ4AL-02057-00, PZ4AL-02058-00
Under Run Protective Shield Engine Bay and Transmission Case

TOYOTA Highlander



TOYOTA Highlander



LEXUS

RX 200t; 350; 450h



LEXUS

RX 270; 350; 350 L; 450h



| Model Year: | Highlander | RX270 | RX 350 (350 L) | RX 450h | RX200t |
|---------------|---|---|--|--|--|
| | 2010 - 2014 - 2016 - | 04.2009 - 10.2015 | 04.2009 - 10.2015 - | 04.2009 - 10.2015 - | 10.2015 - |
| Vehicle Code: | GSU45L-BRAGKX ASU50L-ARTNKX ASU50L-ARTGKX GSU55L-ARTNKX GSU55L-ARTGKX | AGL10L-AWTGKW GGL15L-AWTGKW GYL15L-AWXGKW | AGL20L-AWTGZW AGL25L-AWTGZW GGL25L-AWZGBW GYL25L-AWXGBW | AGL20L-AWTGZW AGL25L-AWTGZW GGL25L-AWZGBW GYL25L-AWXGBW | AGL20L-AWTGZW AGL25L-AWTGZW GGL25L-AWZGBW GYL25L-AWXGBW |

Part Number: Steel: PZ4AL-02057-00
Aluminium: PZ4AL-02058-00



Weight:

Steel: 8,5 kg
Aluminium: 5,14 kg

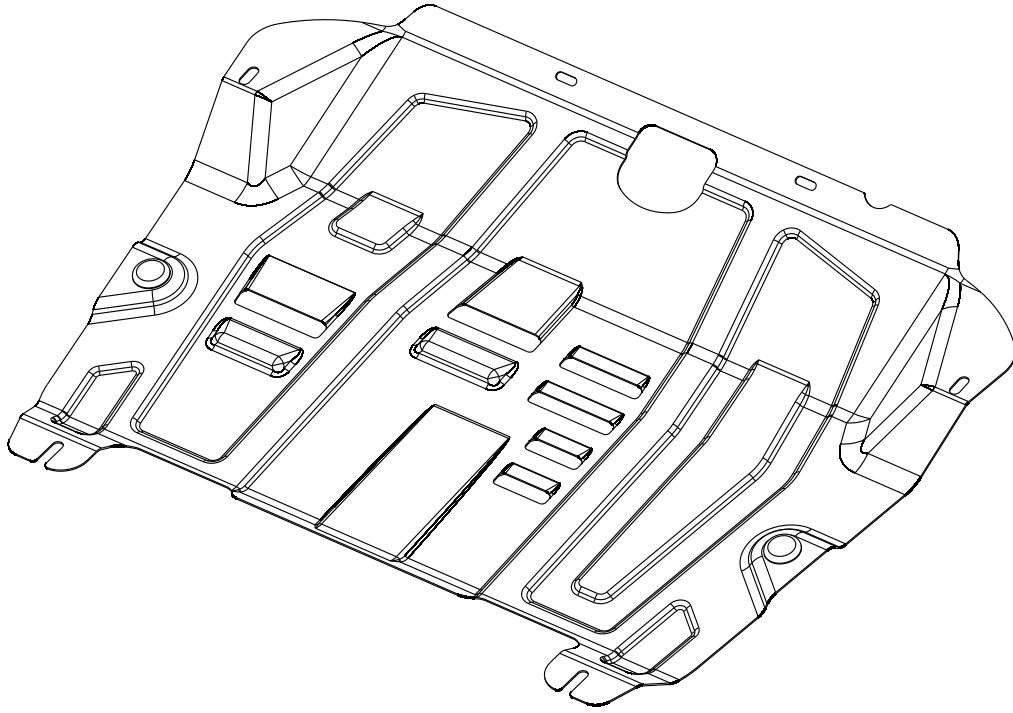


Installation Time:

20 min

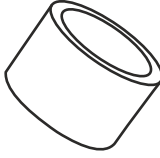
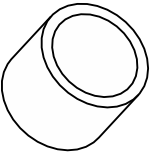
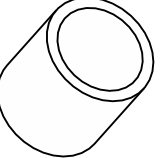
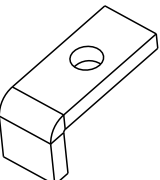
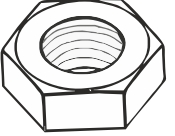






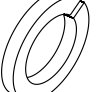
PZ4AL-02057-00, PZ4AL-02058-00

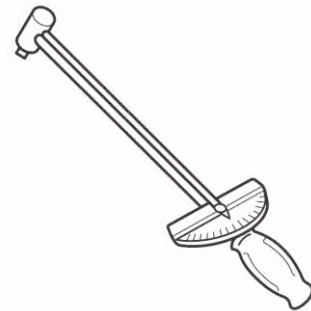
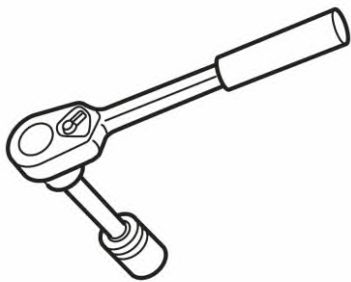
A



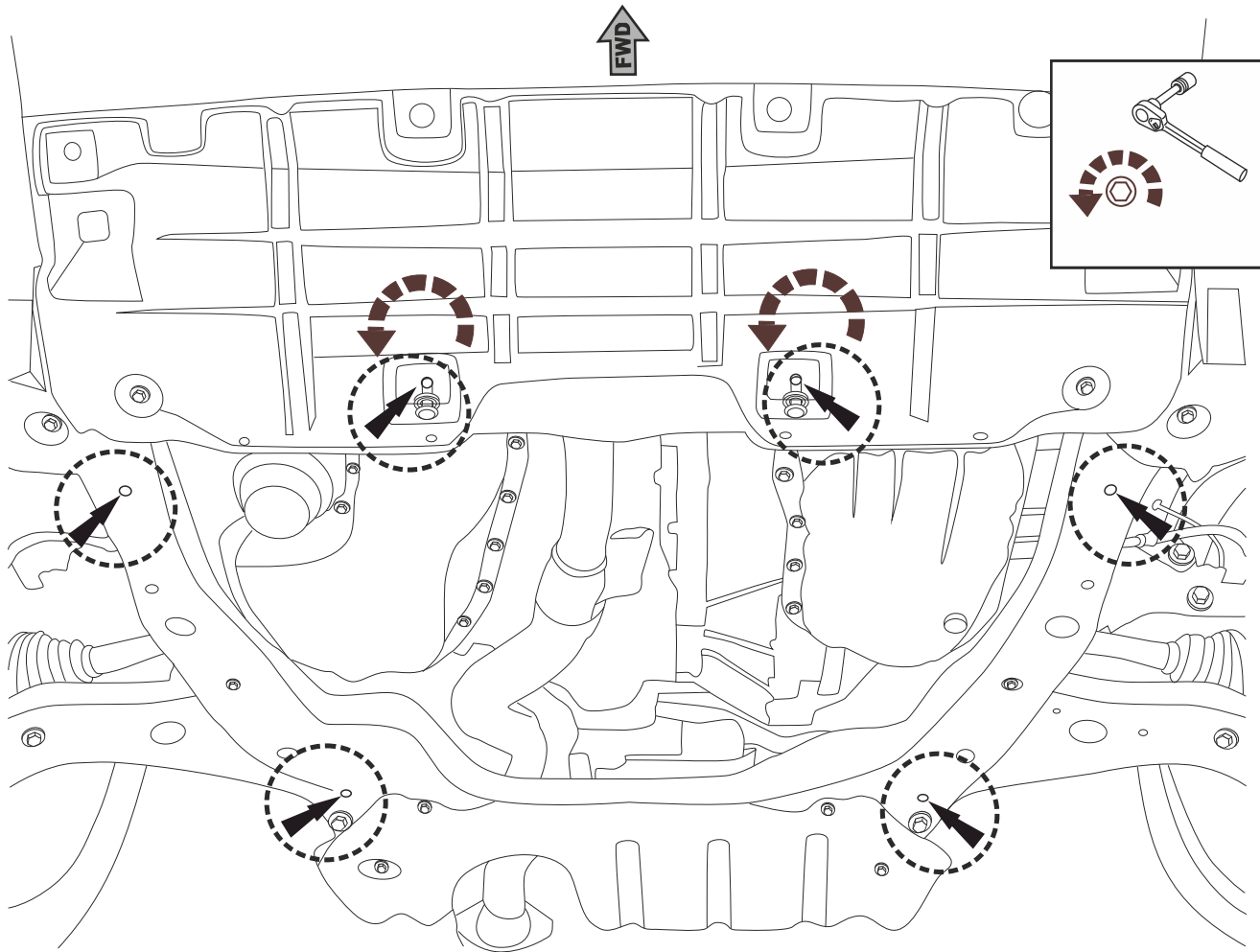
1x

PZ4AL-02057-60

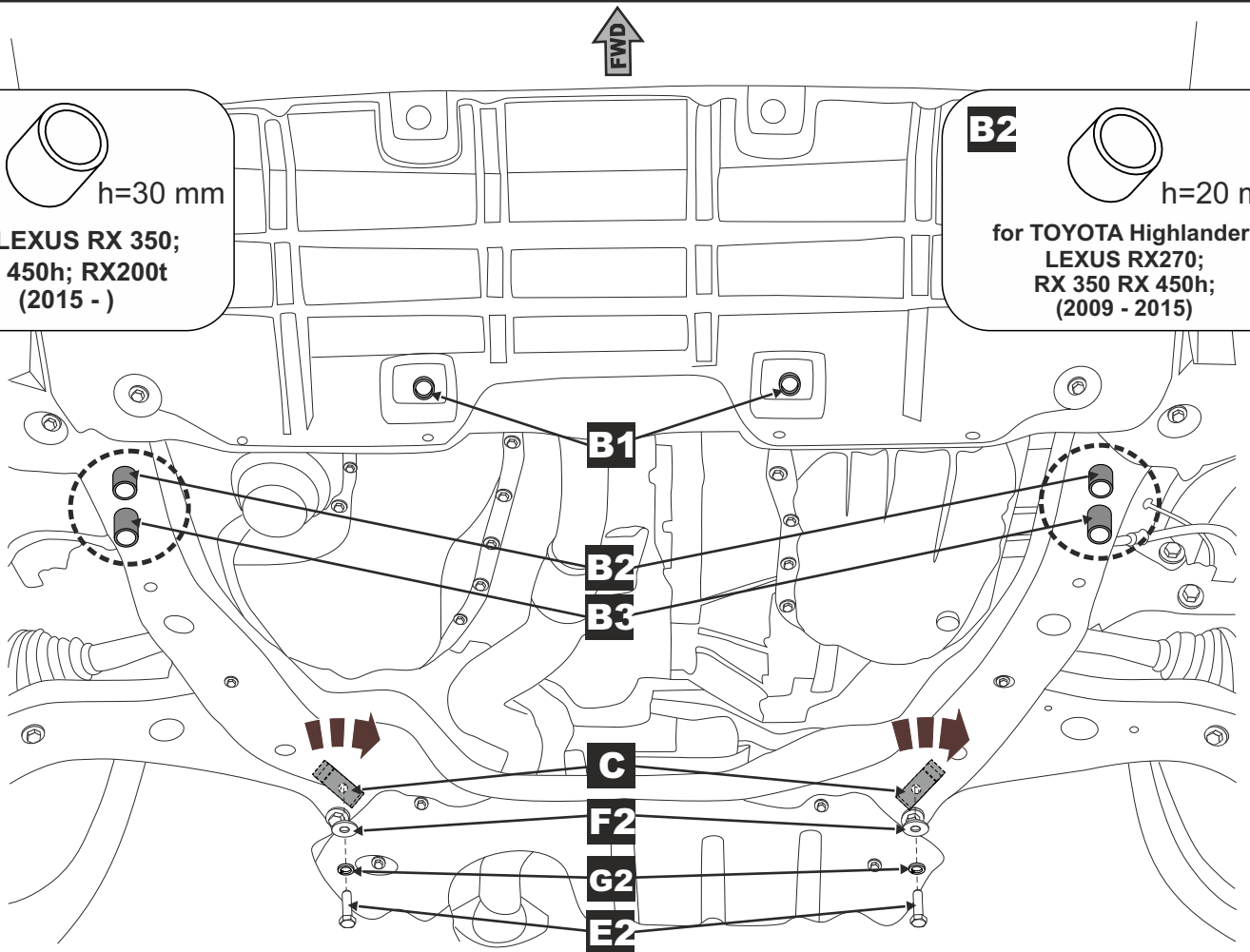
| | | | | | |
|---|--|--|---|--|--|
| <p>B1</p>  <p>h=15 mm 2x</p> | <p>B2</p>  <p>h=20 mm 2x</p> | <p>B3</p>  <p>h=30 mm 2x</p> | <p>C</p>  <p>2x</p> | <p>D</p>  <p>2x</p> | <p>E1</p>  <p>M6x30 2x</p> |
| <p>E2</p>  <p>M10x80 2x</p> | <p>E3</p>  <p>M10x100 2x</p> | <p>F1</p>  <p>d=6 2x</p> | <p>F2</p>  <p>d=10 6x</p> | <p>G1</p>  <p>d=6 2x</p> | <p>G2</p>  <p>d=10 4x</p> |



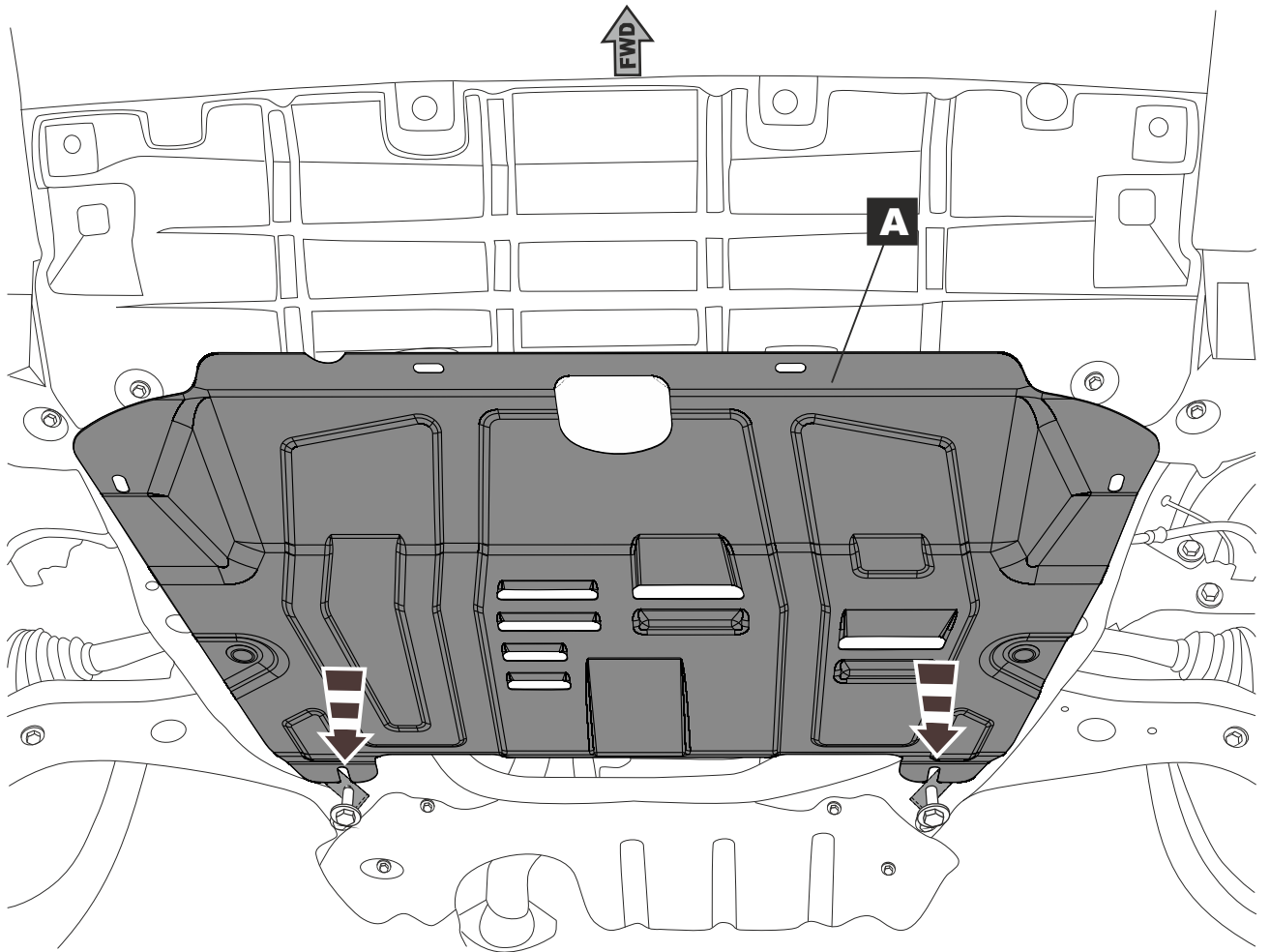
1



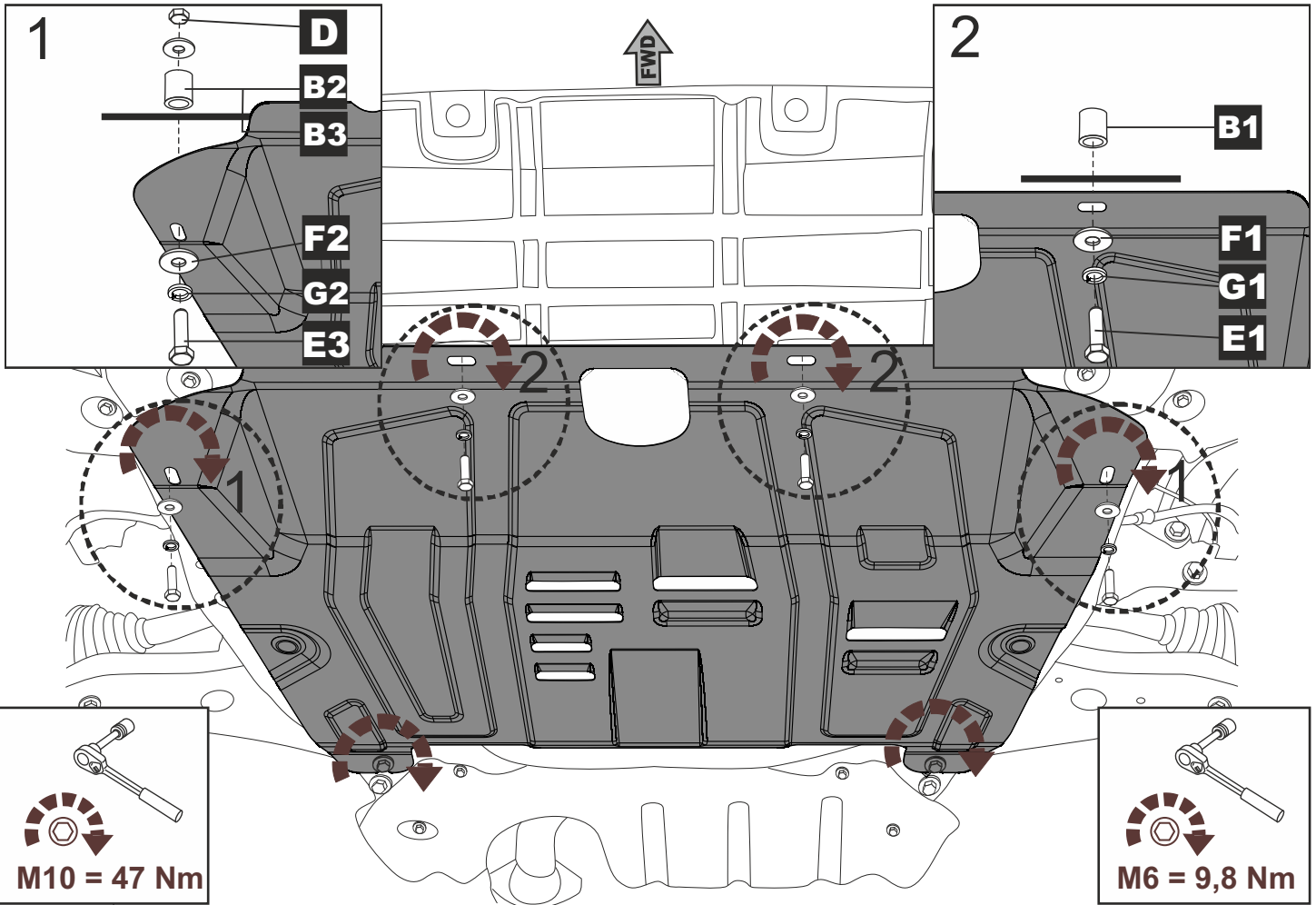
2



3



4



M10 = 47 Nm

M6 = 9,8 Nm

5

